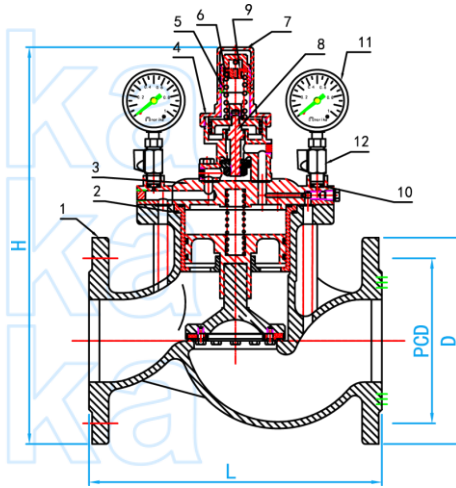
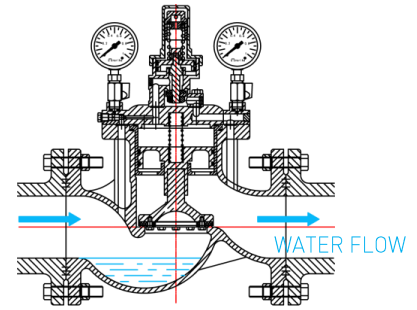


# PRESSURE REDUCING VALVE (DIRECT OPERATED) PISTON TYPE

COMPLY WITH BSEN1567-2000  
BS EN 12165  
AS/ NZS 4020  
SS 375



CROSS SECTIONAL VIEW

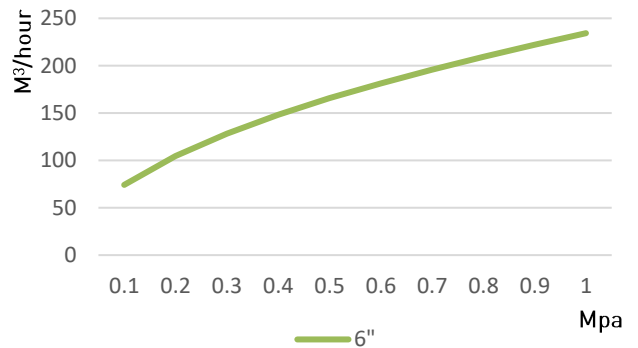


**\*NOTE:** This product should be installed horizontally.

## COMPONENT PARTS

| ITEM | PARTS           | MATERIAL              |
|------|-----------------|-----------------------|
| 1    | Body            | Brass                 |
| 2    | O Ring          | EPDM                  |
| 3    | Head            | Brass                 |
| 4    | Control Valve   | Brass                 |
| 5    | Regulating Rod  | Brass                 |
| 6    | Spring          | AISI304               |
| 7    | Lock Cover      | Brass                 |
| 8    | Control Stem    | Brass                 |
| 9    | Spring Seat     | Brass                 |
| 10   | Seal Ring       | Teflon                |
| 11   | Pressure Gauges | 1/4" brass connection |
| 12   | Mini Ball Valve | 1/4" DZR Brass        |

## FLOW RATE CHART



## STANDARD SPECIFICATIONS

|                                  |                 |
|----------------------------------|-----------------|
| Inlet Pressure                   | 0.4 to 1.6MPa   |
| Working Medium                   | Water           |
| Working Temperature              | 0°C ≤ t ≤ 85 °C |
| Outlet Pressure Adjustable Range | 0.1~0.6Mpa      |

## DIMENSIONS

| SKU         | SIZE (mm) | L (mm) | H (mm) | D (mm) | PCD (mm) | WEIGHT (kg) | PCS/CTN |
|-------------|-----------|--------|--------|--------|----------|-------------|---------|
| PRVCRN150FH | 150       | 403    | 494    | 285    | 240      | 74.0        | 1       |